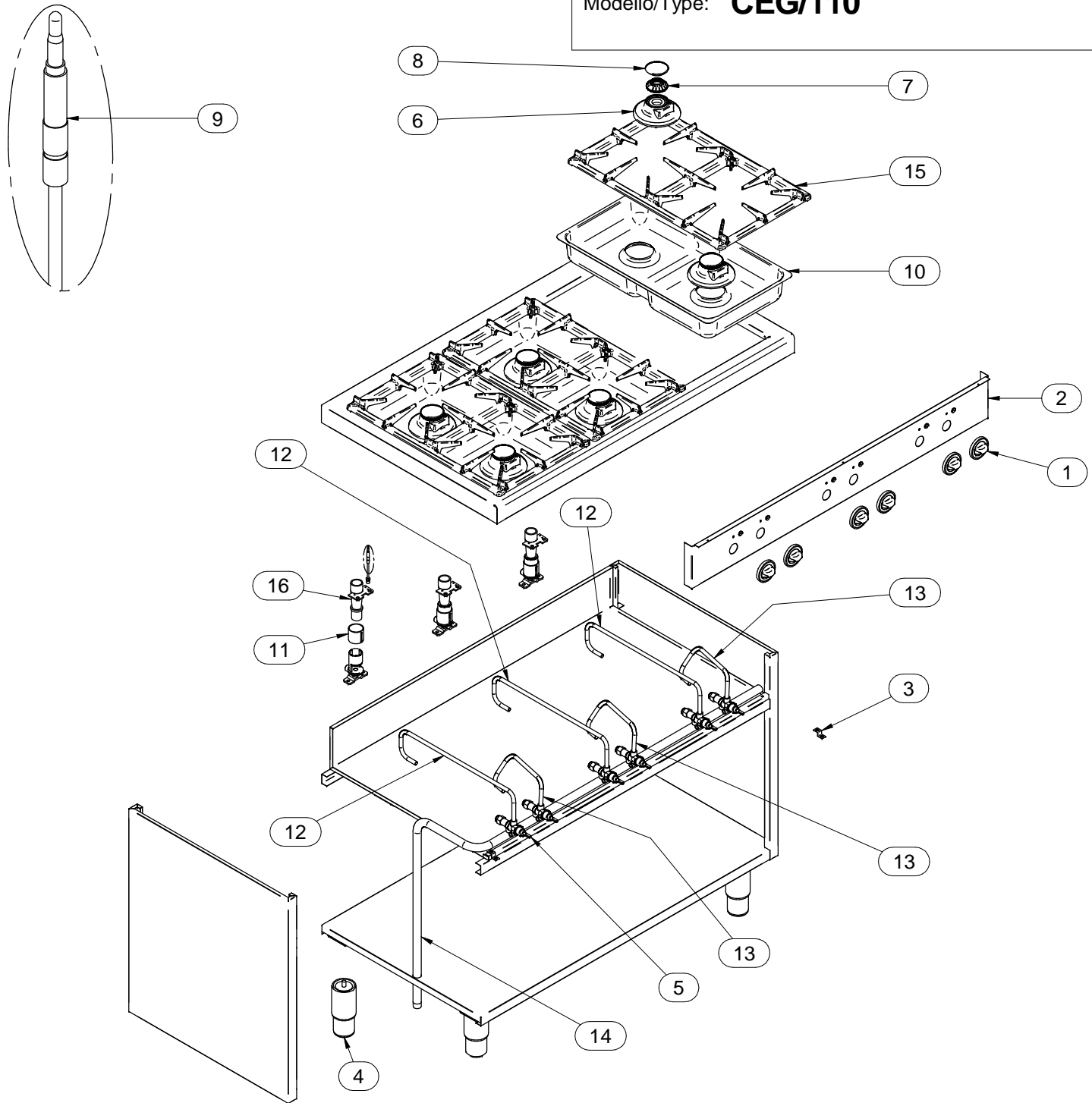


Modello/Type: **CEG/110**

cod./num. 2531559.00

data/date: 08/08/2013



Mod.:	_CEG/110 NISBETS			cod. / num. 2531900.00		FU CEG/110	NOTE
				data / date 21/11/2014			
				rif. / ref. 2531559.00			
POS.	DESCRIZIONE	DESCRIPTION	DENOMINATION	BENENNUNG	COD.	Q.ty	
1	MANOPOLA	KNOB	BOUTON	DREHKNOPF	612.116.00	6	
2	CRUSCOTTO	CONTROL PANEL	BANDEAU	BEDIENBLLENDE	256.400.00	1	
3	STAFFA FISSAGGIO CRUSCOTTO	CONTROL PANEL FIXING BRACKET	EQUERRE FIXATION BANDEAU	BEFESTIGUNGSWINKEL BEDIENBLLENDE	256.002.00	2	
4	PIEDINO	FOOT	PIED	STELLFUSS	912.033.00	4	
5	RUBINETTO GAS	GAS TAP	ROBINET GAZ	GASHAHN	671.000.00	6	
6	BRUCIATORE	BURNER	BRULEUR	BRENNER	672.092.00	6	
7	SPARTIFIAMMA	FLAMESPREADER	CHAPEAU BRULEUR	FLAMMENTEILER	672.098.00	6	
8	COPERCHIO	LID	COUVERCLE	DECKEL	672.044.00	6	
9	TERMOCOPPIA	THERMOCOUPLE	THERMOCOUPLE	THERMOELEMENT	256.109.00	6	
10	BACINELLA	CONTAINER	BAC	BEHÄLTER	622.057.00	3	
11	BOCCOLA REGOLAZIONE ARIA	AIR REGULATION BUSHING	BAGUE DE RÉGULATION AIR	LUFTREGLERBÜCHSE	672.016.00	6	
12	TUBO GAS	GAS PIPE	TUBE GAZ	GASROHR	256.163.00	3	
13	TUBO GAS	GAS PIPE	TUBE GAZ	GASROHR	256.164.00	3	
14	TUBO GAS	GAS PIPE	TUBE GAZ	GASROHR	675.114.00	1	
15	GRIGLIA	GRILL	GRILLE	GITTER	681.008.00	3	
16	VENTURI PER BRUCIATORE	VENTURI TUBE FOR BURNER	TUBE DE VENTURI POUR BRÛLEUR	VENTURI-DÛSE FÜR BRENNER	672.010.00	6	
17							
18							
19							
20							
21							
22							
23							
24							
25							
26							
27							
28							
29							
30							
31							
32							
33							
34							
35							
36							
37							