

A4 size: Front page



Safety Tips

- The product is intended for the child age/weighted up to the maximum of 12 months/ 11kgs.
- **DO NOT use the changing unit if any part is broken, torn or missing.**
- All assembly fittings shall always be correctly tightened and checked regularly.
- **Warning:** BE AWARE of the risk of an open fire or other sources of strong heat such as electric bar fires, gas fires, etc., in the vicinity of the product.
- We recommend that for safe use of the product, the unit is installed to brickwork or blockwork using fixings that are appropriate to the wall.
- We do not recommend fixing onto a toilet or changing room cubicle wall.
- If installing to a cavity wall then a sound fixing joist is also required.
- Any additional or replacement parts shall only be obtained from the BOLERO agent.
- All recommended fixings are supplied. Do not use less substantial fittings. We recommend the use of torque controlled power tool to fully tighten the fixings. This ensures that the fixing plug opens and firmly grips the substrate.
- This unit does not require a changing pad and therefore, no pad is supplied with this product.
- Ensure that all fixings are checked and tightened as necessary. Protruding fixings present the risk of clothing or accessories (e.g. strings, necklaces, ribbons for babies, dummies, etc.) becoming entangled and exposing the child to risk of injury.
- Units should be fitted no less than 100mm from the corner of the room to facilitate cleaning.
- Keep all packaging away from children. Dispose of the packaging in accordance with the regulations of local authorities.
- Be sure to check all packaging materials for any small parts that may have come loose during transportation.

DA695 Bolero Horizontal Changing station

DA696 Bolero Vertical Changing station



IMPORTANT: KEEP FOR FUTURE REFERENCE. READ CAREFULLY.



WARNING: DO NOT leave the child unattended.

Operation

- **Before use:** Make sure the changing tray is fully extended into its horizontal position.
- **After use:** Fold the tray into its upright position by lifting the front edge and carefully raising it to the vertical.
NOTE: If the tray is folded up with excessive force it may cause damage to the wall.

Cleaning, Care & Maintenance

Cleaning

- Clean with a damp cloth.
- For more stubborn stains a domestic cream cleaner can be used.
- Do not use any abrasive cloths, caustic or solvent cleaners as these may damage the product.

Care and Maintenance

- Open the unit and check that all wall mounting fixings are secure. Check that the changing tray does not rest below the horizontal position.
- **Any replacement parts must be obtained from BOLERO only.**

Compliance

BOLERO parts have undergone strict product testing in order to comply with regulatory standards and specifications set by international, independent, and federal authorities.

This product conforms to: EN12221: 2008+A1:2013

All rights reserved. No part of these instructions may be produced or transmitted in any form or by any means, electronic, mechanical, photocopying, recording or otherwise, without the prior written permission of BOLERO.

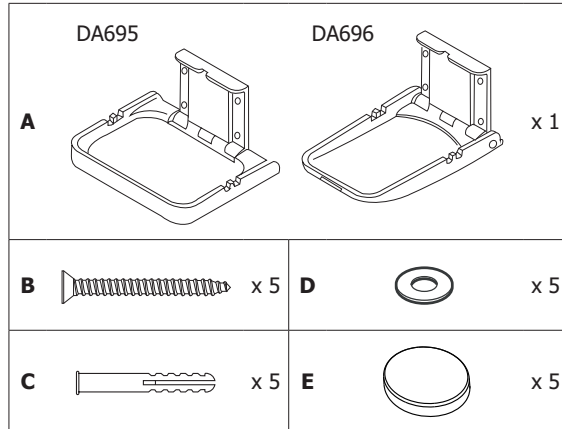
Every effort is made to ensure all details are correct at the time of going to press, however, BOLERO reserve the right to change specifications without notice.

UK	0845 146 2887	Fourth Way, Avonmouth, Bristol, BS11 8TB United Kingdom	DE	0800 – 1860806	
NL	0800 – 29 1 29		IT	N/A	
	040 – 2628080		ES	901-100 133	
FR	0800 - 29 2 29		PT	901-100 133	
	01 60 34 28 80		AU	1300 225 960	15 Badgally Road, Campbelltown, 2560, NSW, Australia

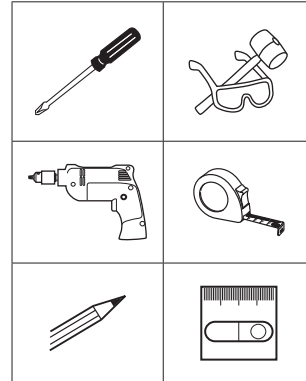
A4 size: Back page

Pack Contents

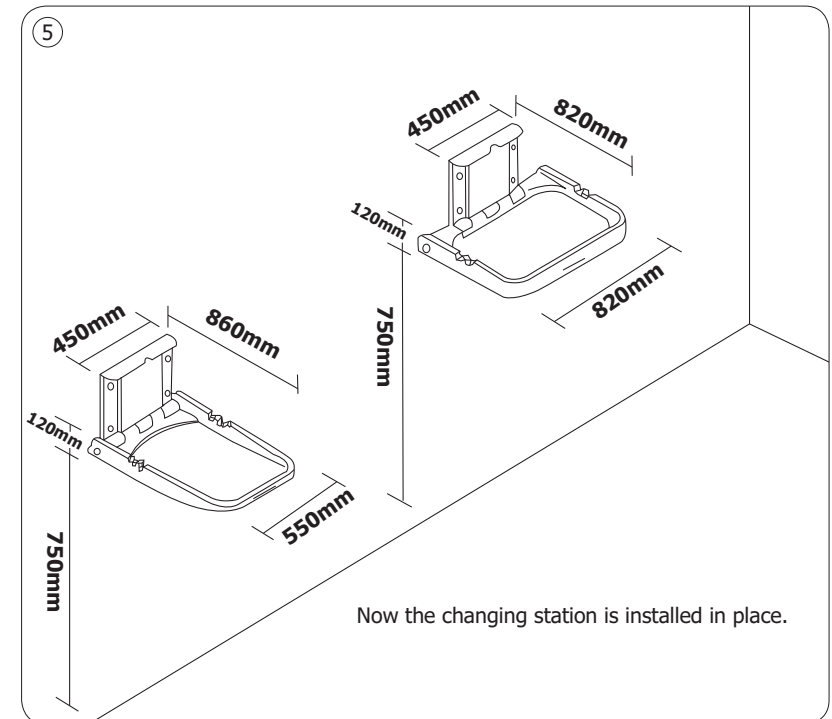
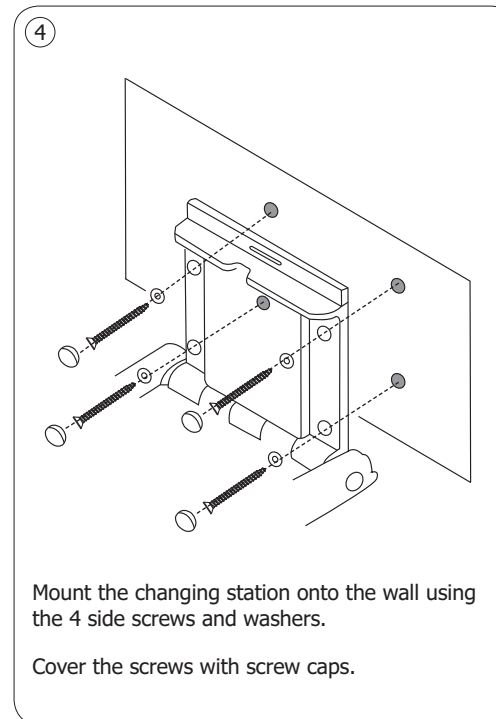
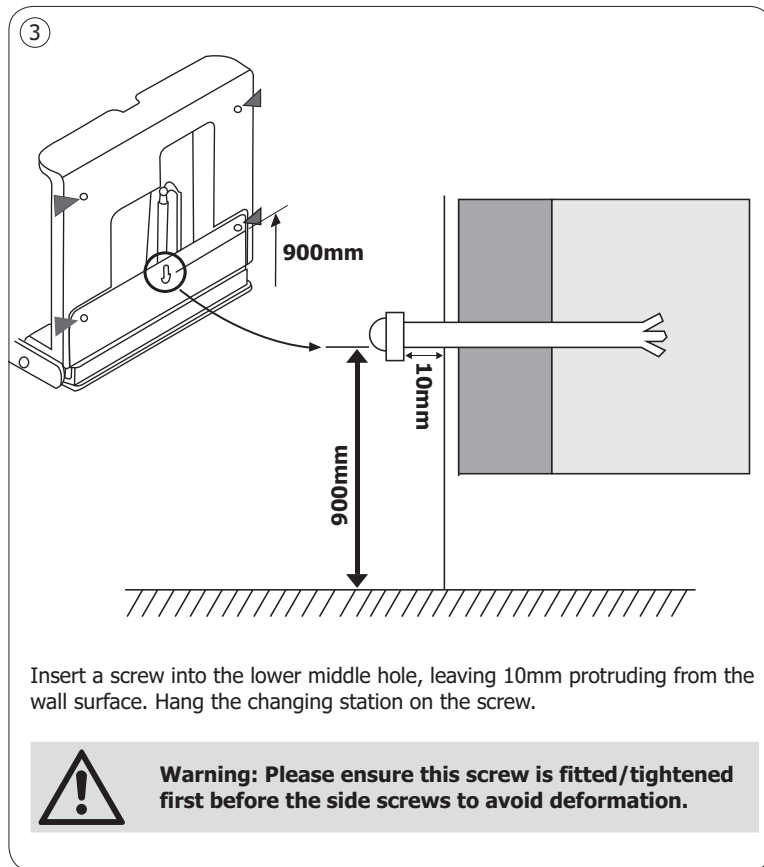
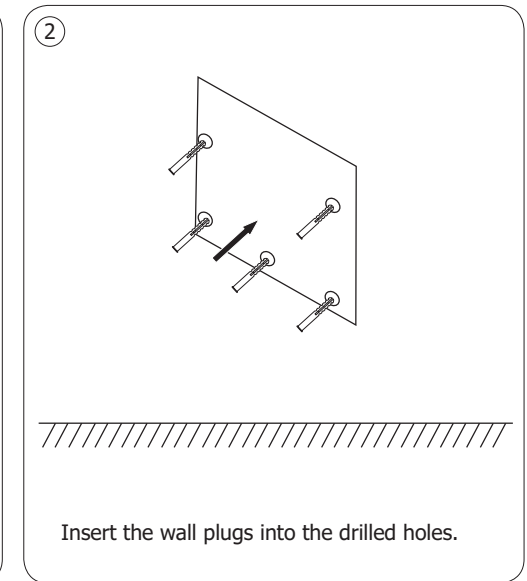
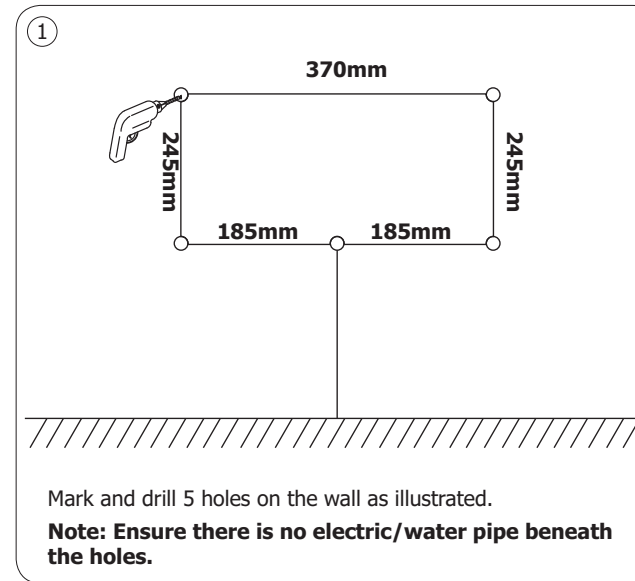
The following is included:



Tools Required for Assembly (Not included)



Installation



DA695-DA696_A4_v1_180105